



motoalliance



IMPACT
IMPLEMENTS

BCS 36" Blade with Box Ends
IP3047_BK

INSTALLATION INSTRUCTIONS

BCS 36" Blade with Box Ends IP3047_BK

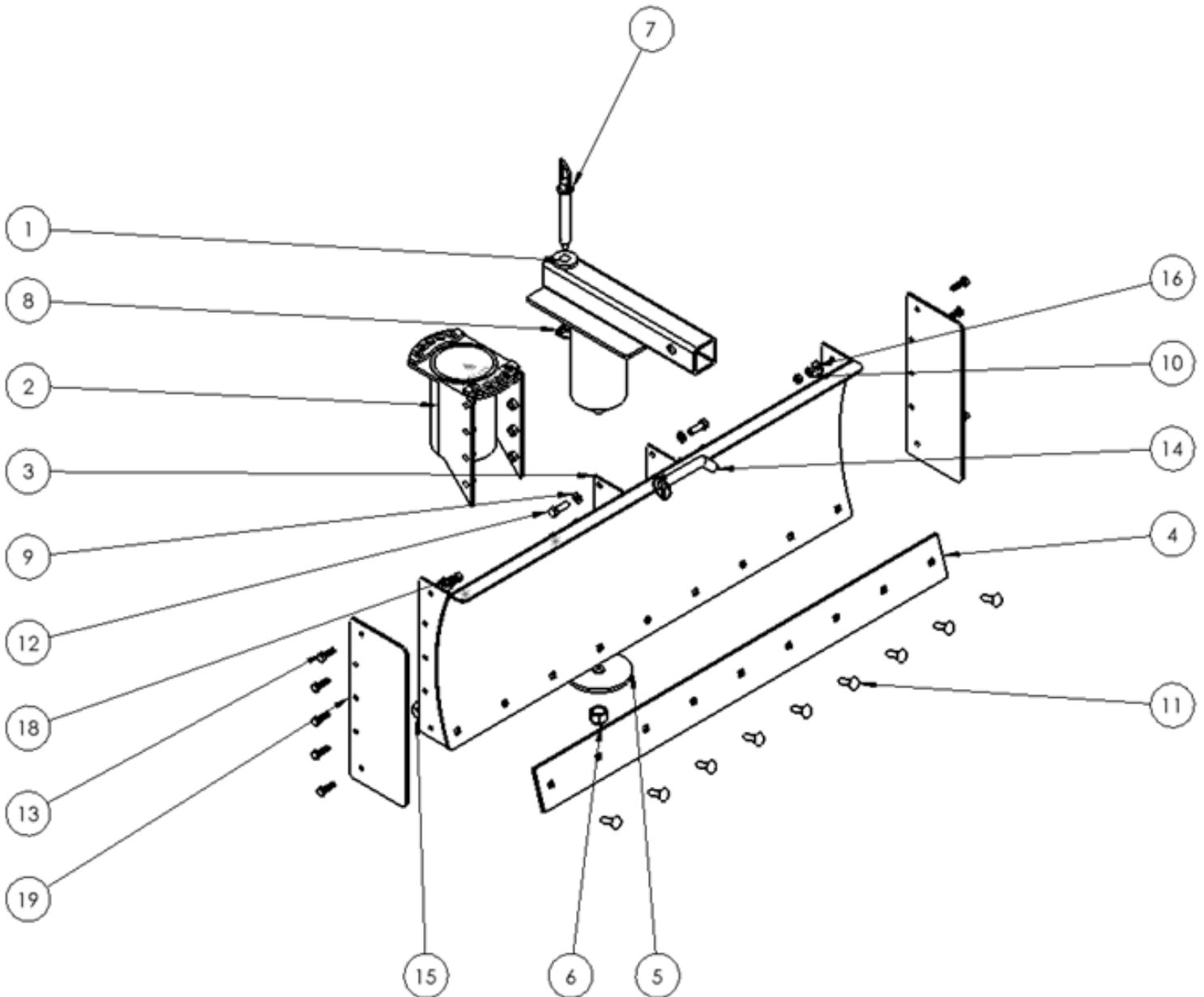


Please verify that all hardware and parts are included in your package. For replacement parts, visit www.motoalliance.com

Part#	Qty	Item Description
1	1	Swivel Assembly
2	1	Swivel Connection
3	1	36" Blade
4	1	36" Wear Bare

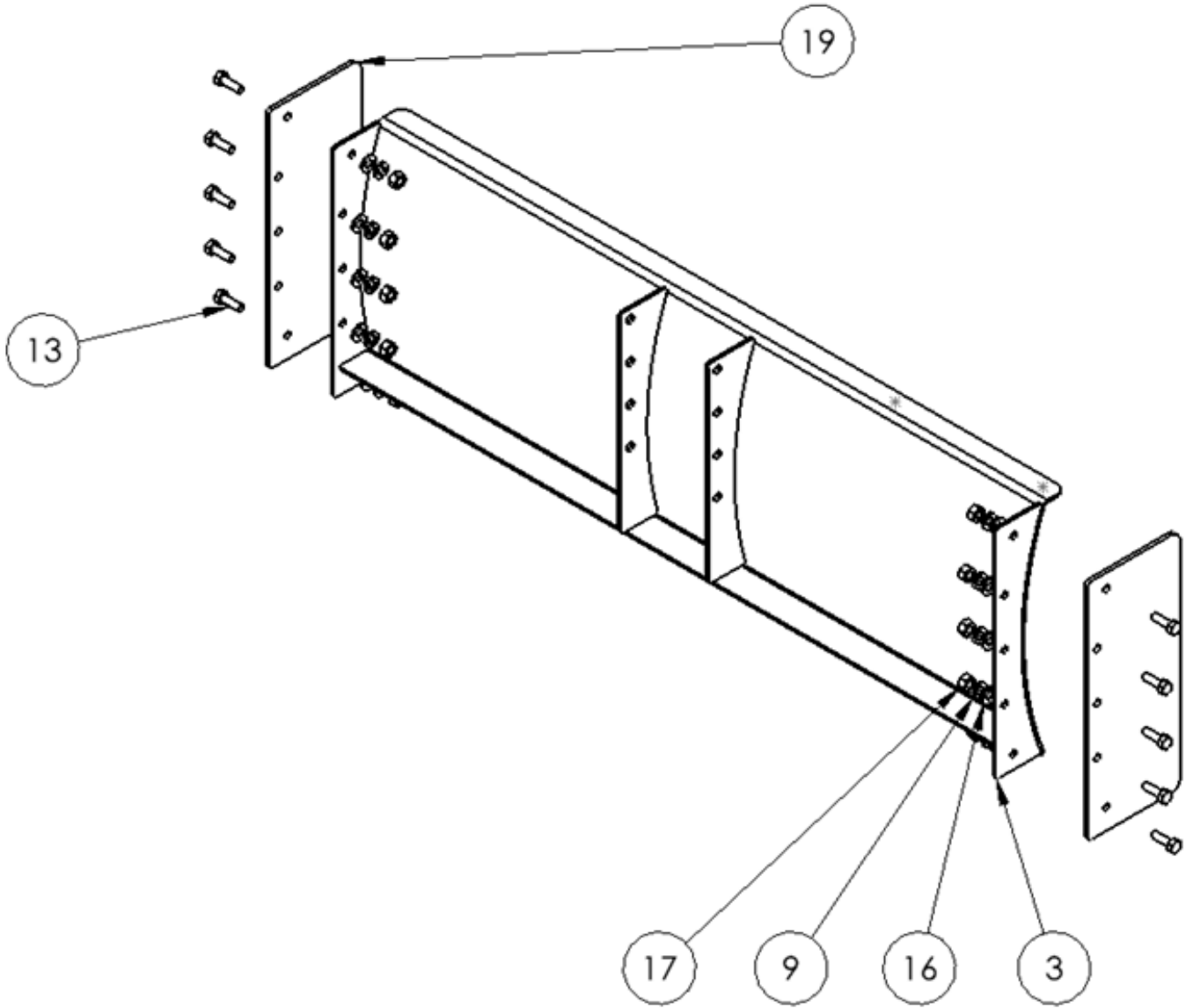
Part#	Qty	Item Description
5	1	Swivel Washer
6	1	3/4-10 Nylock Nut
7	1	5/8 x 7.5" Hitch Pin
8	2	Lynch Pin
9	17	0.375 Lock Washer
10	10	0.3125 Lock Washer
11	9	0.375-16x1.125 Carriage Bolt
12	8	0.375-16x1.125 Hex Bolt

Part#	Qty	Item Description
13	10	0.3215-12 x 0.875 Hex Bolt
14	1	0.625 Hitch Pin
15	9	0.375 Washer
16	10	0.3125 Washer
17	9	0.375-16 Hex Nut
18	10	0.3125-18 Hex Nut
19	2	Box End



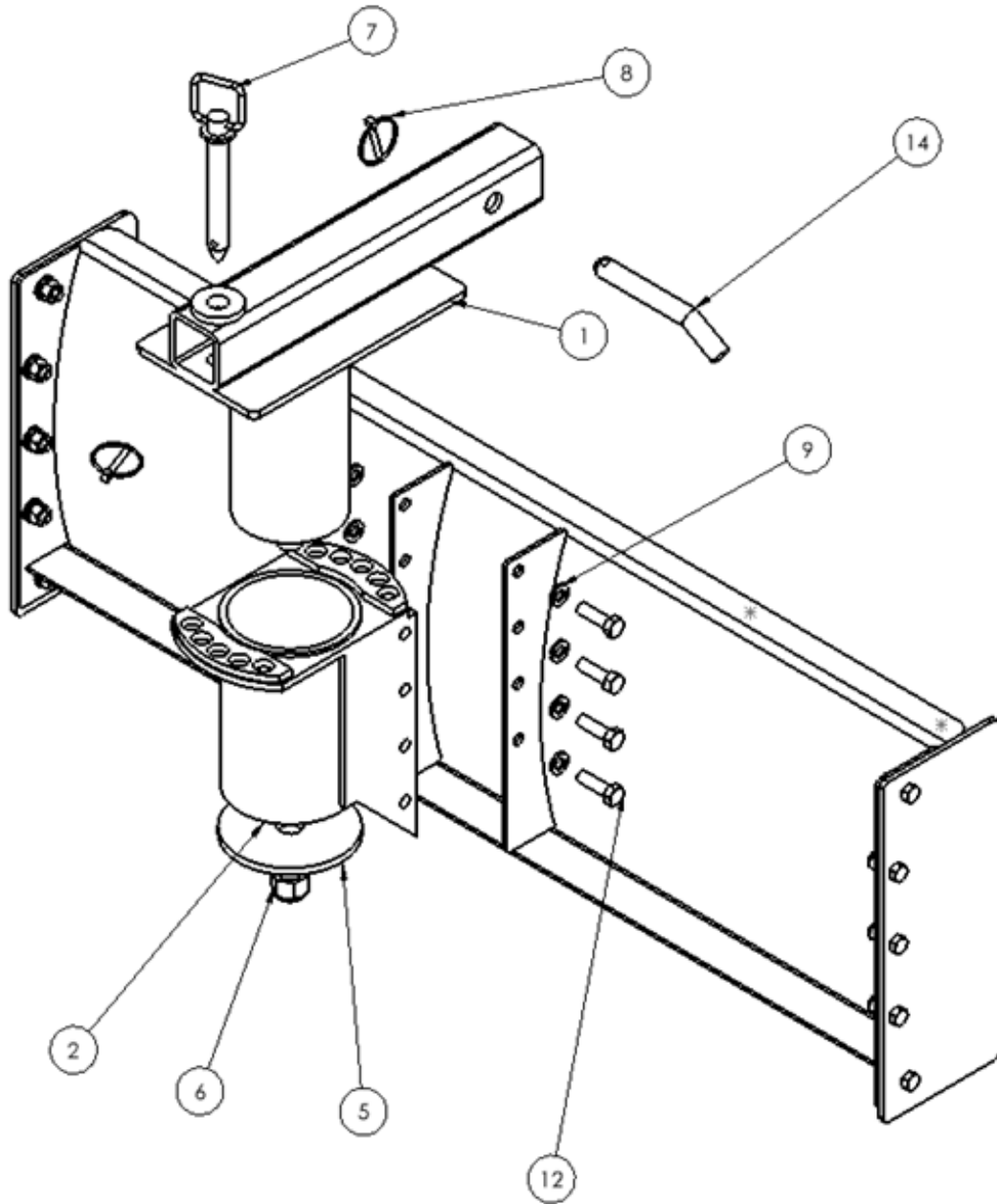
BCS 36" Blade with Box Ends IP3047_BK

ASSEMBLY



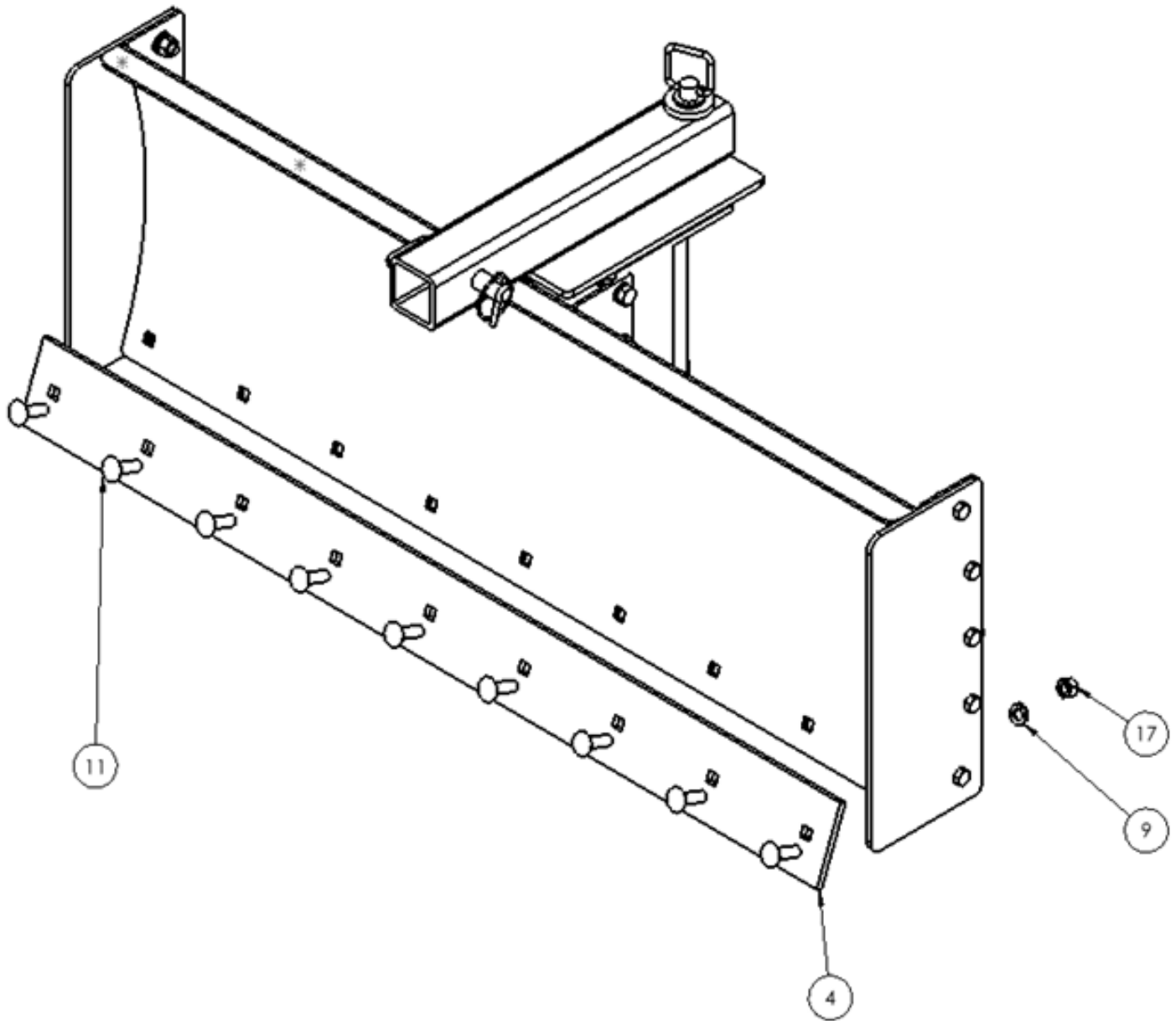
1. Attach the two Box Ends to the blade using the 5/16" hardware.

BCS 36" Blade with Box Ends IP3047_BK



2. Connect the Swivel Connection to the 36" Blade using the 3/8" hardware.
3. Insert the Swivel Assembly into the Swivel Connection and secure using 5/8" Nut.

BCS 36" Blade with Box Ends IP3047_BK



4. Secure the Wear Bar to the 36" Blade using the 3/8" Carriage Bolts.